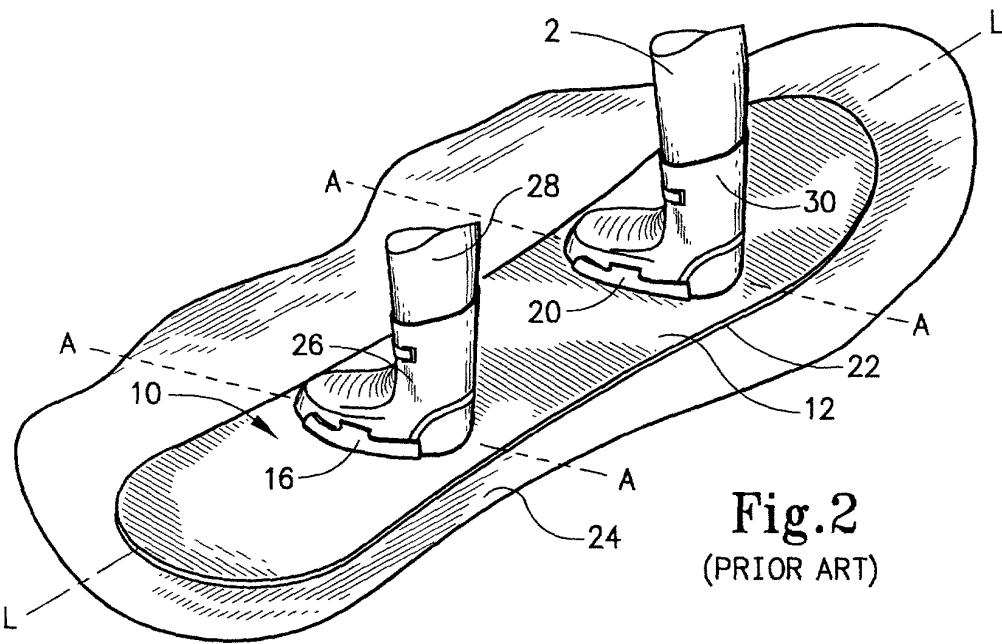
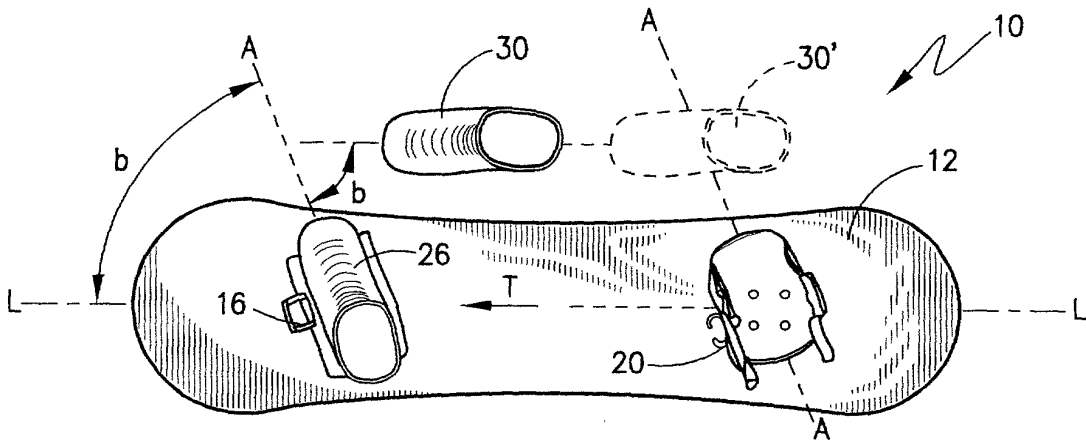


**Fig. 1**  
(PRIOR ART)



**Fig. 2**  
(PRIOR ART)



**Fig. 3**  
(PRIOR ART)

FOOT SET 5369660

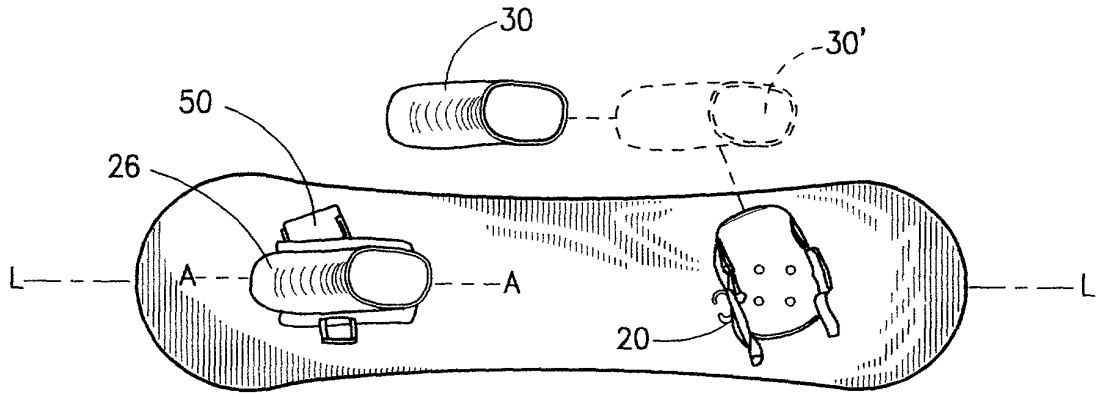


Fig. 4

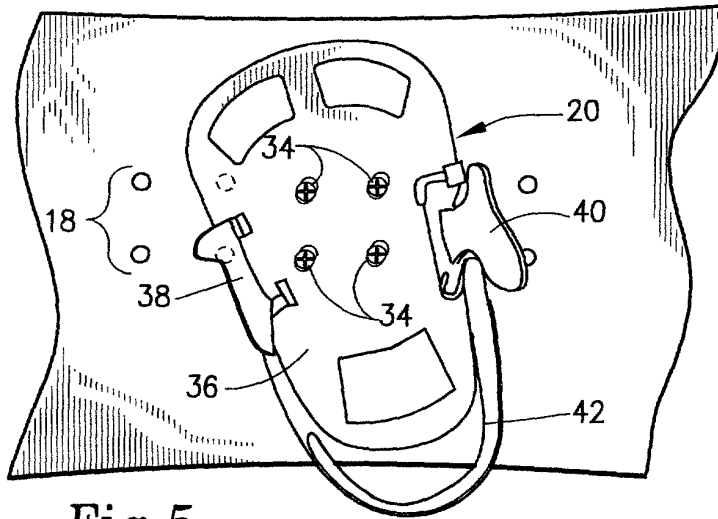


Fig. 5  
(PRIOR ART)

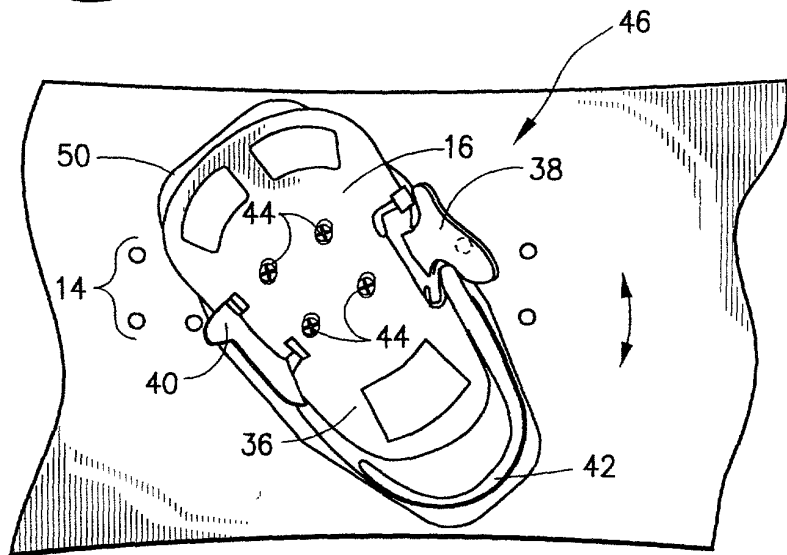


Fig. 6

FOOT 5959560

SNOWBOARD APPARATUS INCLUDING ROTATABLE  
BINDING AND METHOD INCORPORATING THE SAME

Applicant: Richard W. Pollmiller

Serial No.: 09/966,965

Docket No.: 1785

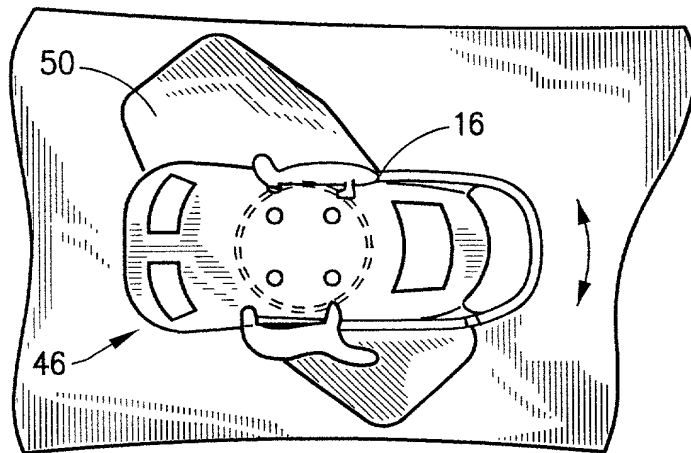


Fig. 7

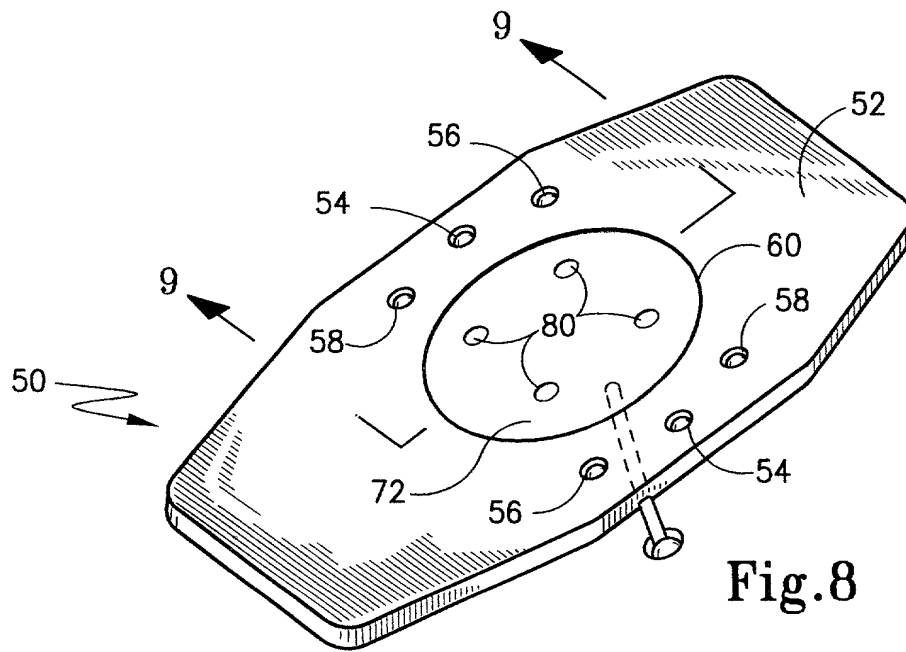


Fig. 8

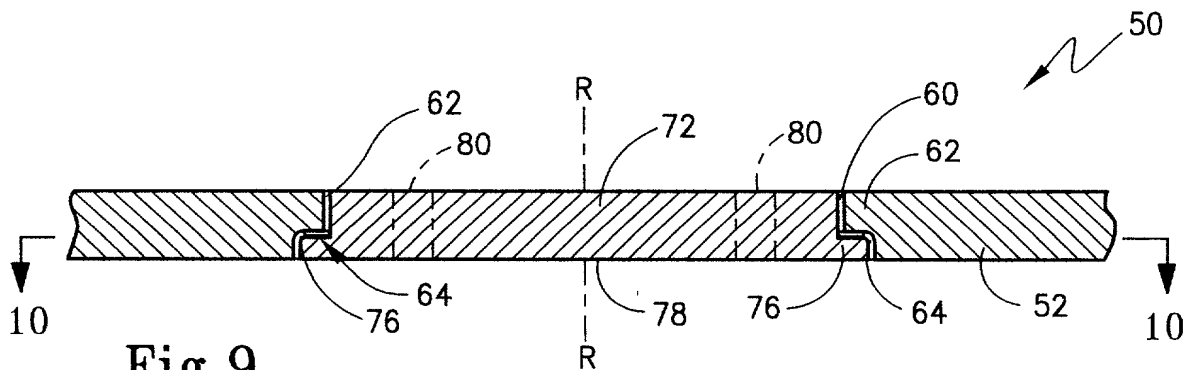


Fig. 9

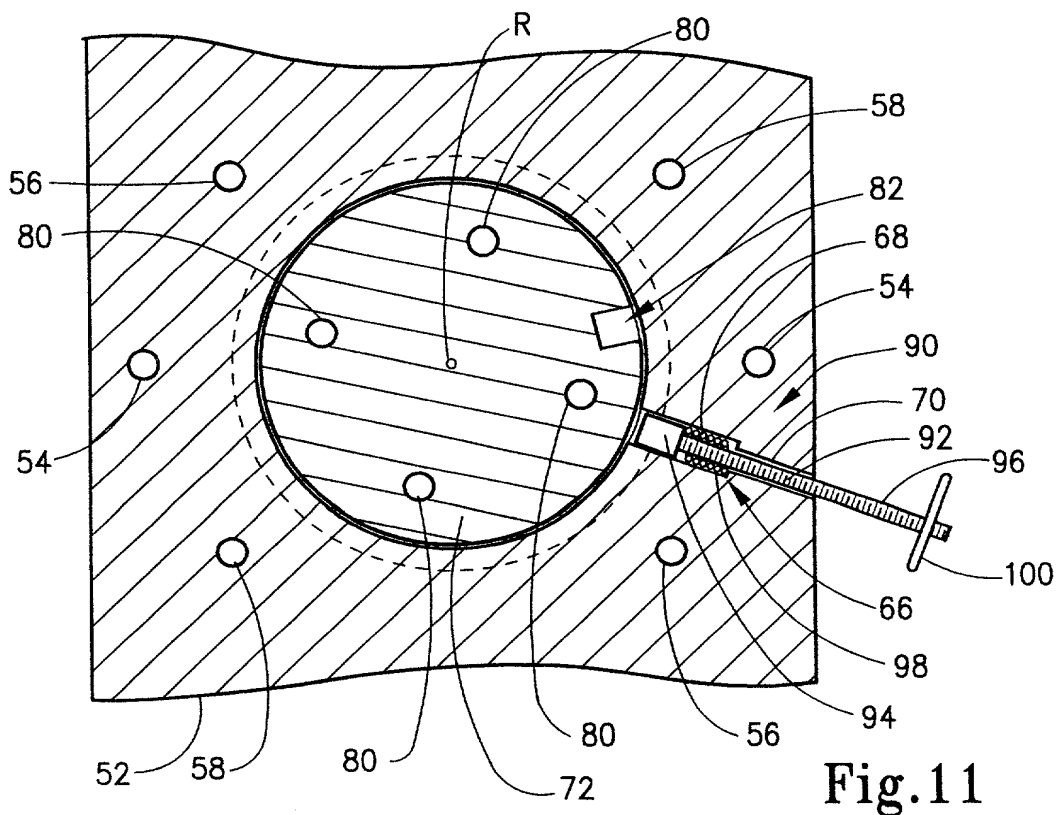
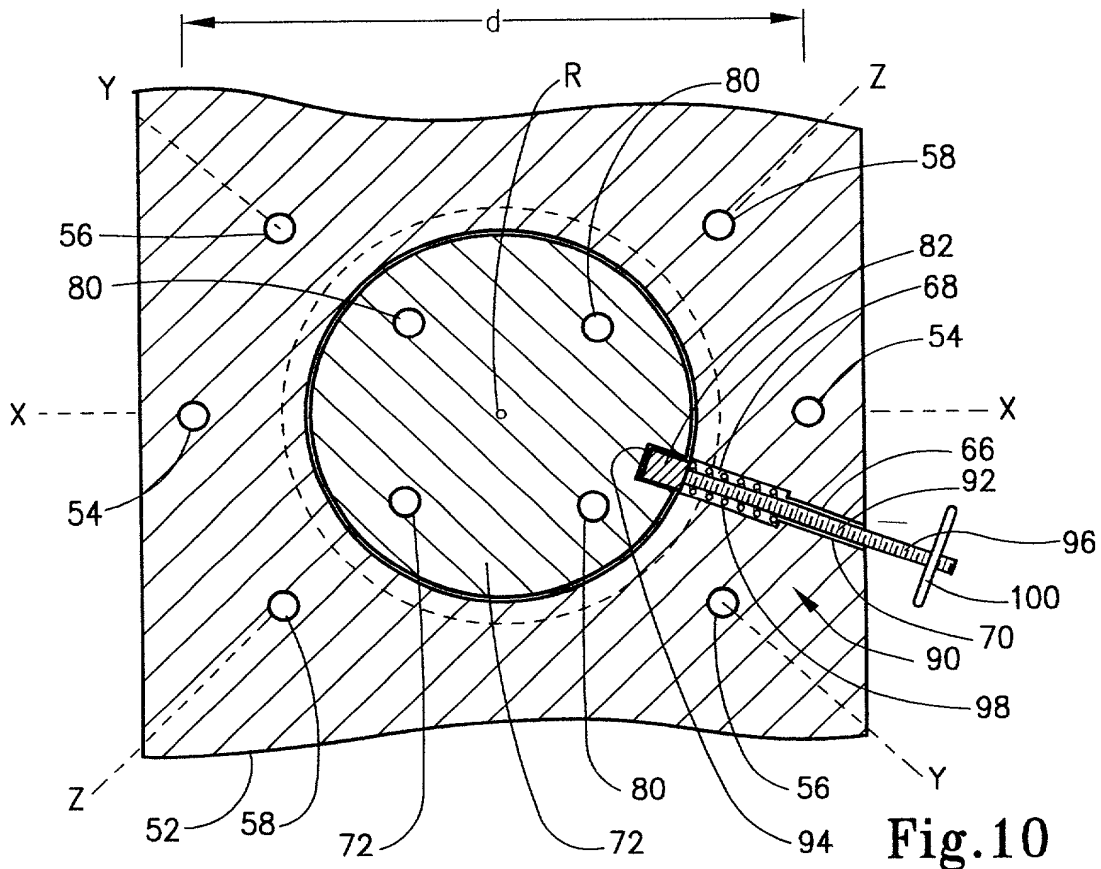
FOR PUBLICATION

SNOWBOARD APPARATUS INCLUDING ROTATABLE  
BINDING AND METHOD INCORPORATING THE SAME

Applicant: Richard W. Pollmiller

Serial No.: 09/966,965

Docket No.: 1785



PATENT 5,963,960

SNOWBOARD APPARATUS INCLUDING ROTATABLE  
BINDING AND METHOD INCORPORATING THE SAME

Applicant: Richard W. Pollmiller

Serial No.: 09/966,965

Docket No.: 1785

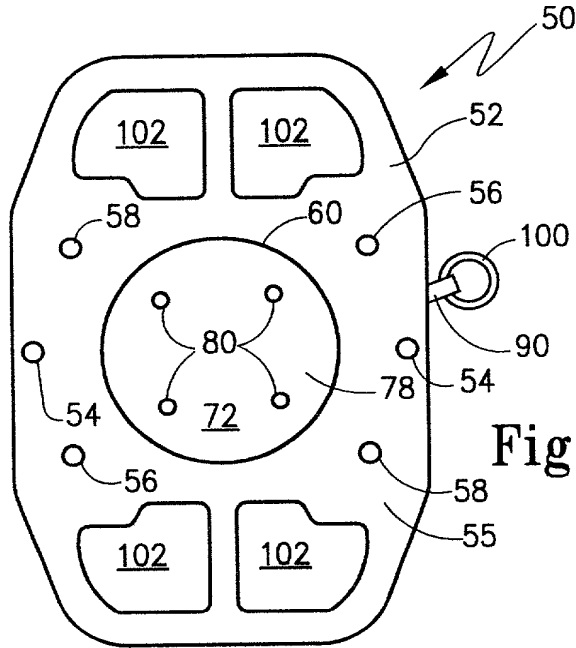


Fig. 12

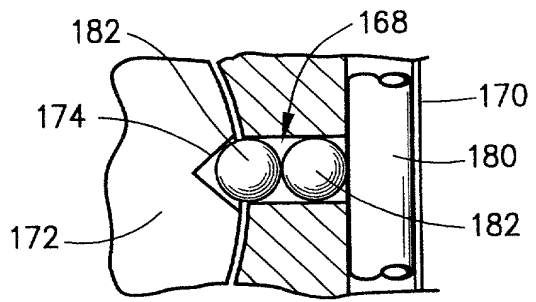


Fig. 14

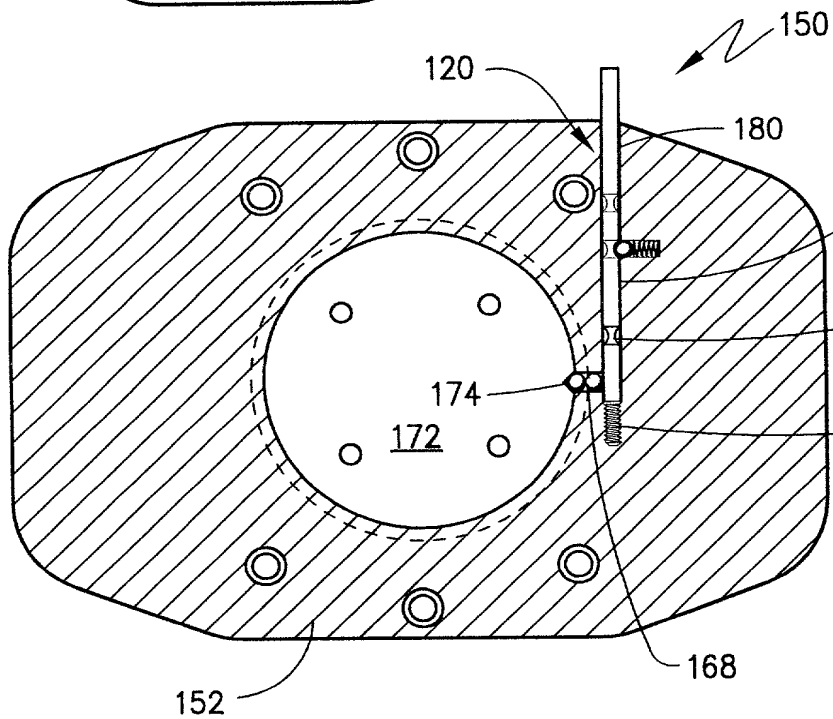


Fig. 13

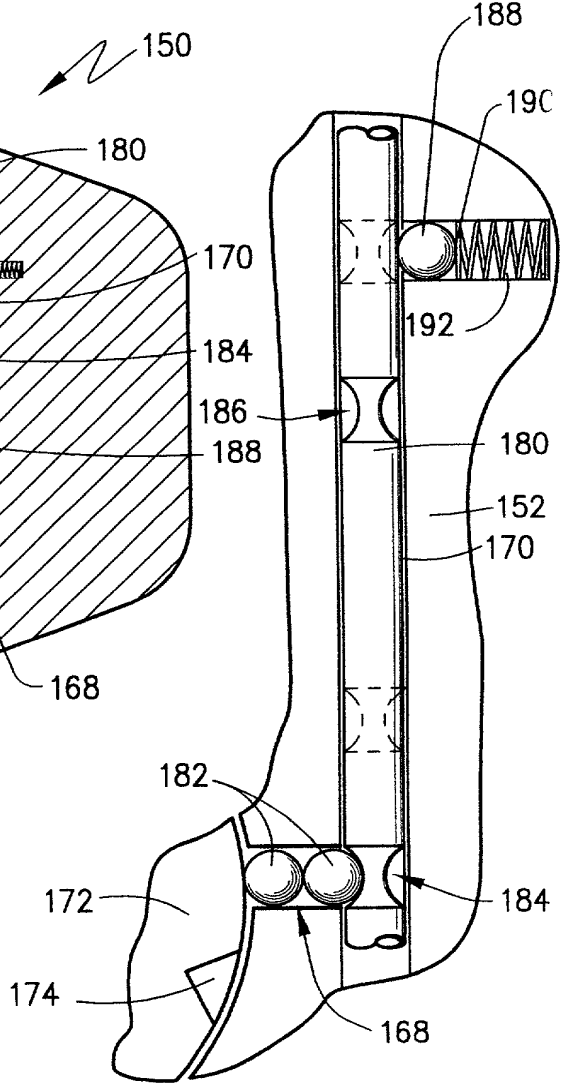


Fig. 15

FOOT SET 53699660